

**NEW!**

# SMT Power Inductors - DH3316 Series



These power inductors feature a small footprint, magnetic shielding and very high efficiency, making them ideal for high performance DC-DC converter applications.

Like all Coilcraft surface mount power inductors, they are designed with a flat top for reliable pick and place operations. The terminations wrap around the end of the base, ensuring a sound solder fillet and simplifying inspection.

Saturation current ratings up to 10 A and rms current ratings as high as 6 A are available. Very low DC resistance keeps power losses to a minimum.

In addition to the standard values shown here, DH3316 inductors in custom values are also available. For free evaluation samples or to order, contact Coilcraft or visit [www.coilcraft.com](http://www.coilcraft.com).

Part number <sup>1</sup>	L ±20% <sup>1</sup> (µH)	DCR max (Ohms)	SRF typ <sup>2</sup> (MHz)	Isat <sup>3</sup> (A)	Irms <sup>4</sup> (A)
DH3316P-102ML_	1.0	0.016	290	10.0	6.0
DH3316P-222ML_	2.2	0.020	150	6.7	4.1
DH3316P-332ML_	3.3	0.025	75	5.7	3.7
DH3316P-472ML_	4.7	0.030	55	4.6	3.2
DH3316P-682ML_	6.8	0.048	42	3.6	2.6
DH3316P-103ML_	10	0.065	37	3.2	2.2
DH3316P-153ML_	15	0.084	27	2.6	1.8
DH3316P-223ML_	22	0.126	24	2.2	1.6
DH3316P-333ML_	33	0.198	17	1.7	1.2
DH3316P-473ML_	47	0.295	12	1.5	1.0
DH3316P-683ML_	68	0.415	11	1.1	0.90
DH3316P-104ML_	100	0.620	9	1.0	0.60
DH3316P-154ML_	150	0.970	7	0.8	0.51
DH3316P-224ML_	220	1.270	6	0.65	0.44
DH3316P-334ML_	330	1.850	5	0.50	0.38
DH3316P-684ML_	680	4.400	3	0.35	0.23
DH3316P-105ML_	1000	5.850	2.5	0.27	0.22

1. When ordering, please specify **packaging** code:

**DH3316P-105ML D**

**Packaging: D** = 13" machine ready reel. EIA-481 embossed plastic tape (1000 parts per full reel).

**B** = Less than full reel. In tape, but not machine ready. To have a leader and trailer added (\$25 charge), use code letter D instead.

2. Inductance tested at 0.1 Vrms, 100 kHz, 0 Adc.

3. SRF measured using Agilent/HP 8753D network analyzer.

4. DC current at which the inductance drops 10% (typ) from its value without current.

5. Average current for a 40°C rise above 25°C ambient.

6. Operating temperature range -40°C to +85°C

7. Electrical specifications at 25°C

See Qualification Standards section for environmental and test data.

See Color Coding section for part marking data.

## Coilcraft®

Specifications subject to change without notice.

Please check our website for latest information. Document 303-1 Revised 02/13/06

1102 Silver Lake Road Cary, Illinois 60013 Phone 847/639-6400 Fax 847/639-1469

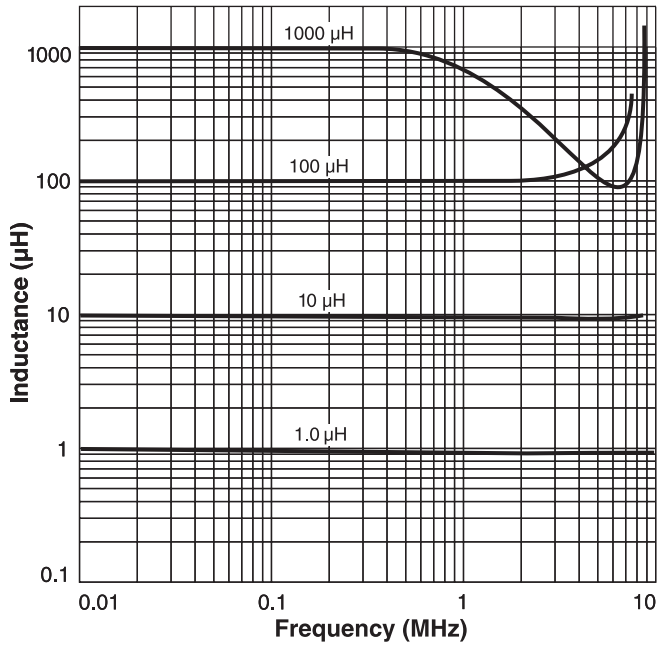
E-mail [info@coilcraft.com](mailto:info@coilcraft.com) Web <http://www.coilcraft.com>



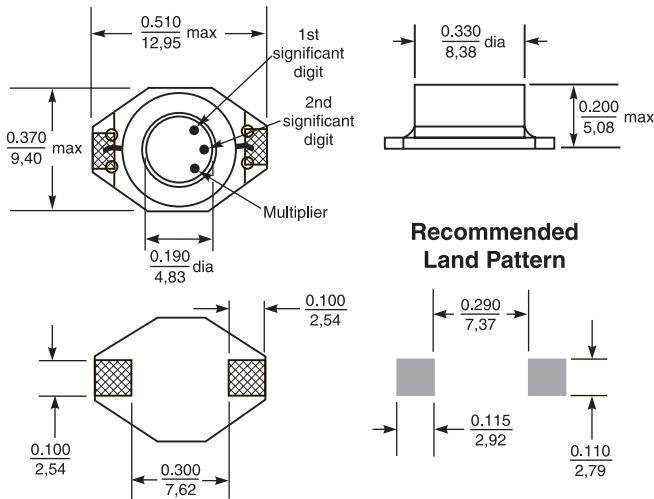
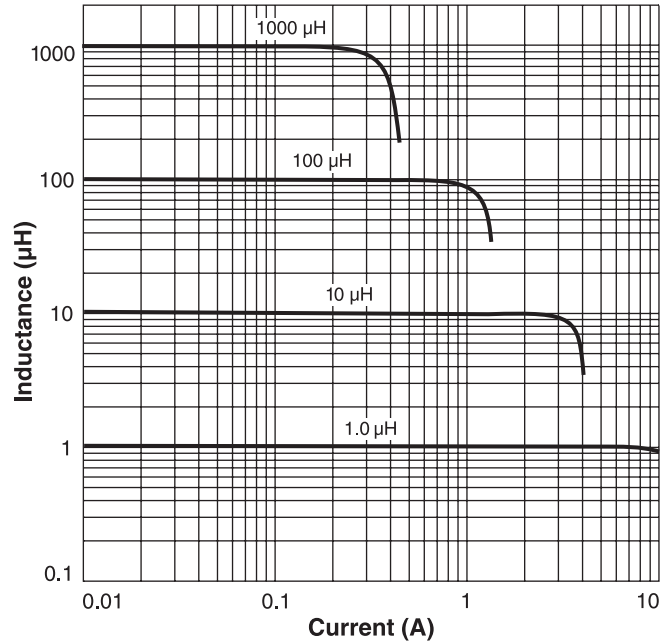
**NEW!**

# SMT Power Inductors - DH3316 Series

## Typical L vs Frequency



## Typical L vs Current



**Weight:** 860 – 980 mg  
**Terminations:** Nickel/gold over phos bronze  
**Tape and reel:** 1000/13" reel 24 mm tape width  
 For packaging data see Tape and Reel Specifications section.



Specifications subject to change without notice.  
 Please check our website for latest information. Document 303-2 Revised 01/27/05

1102 Silver Lake Road Cary, Illinois 60013 Phone 847/639-6400 Fax 847/639-1469  
 E-mail [info@coilcraft.com](mailto:info@coilcraft.com) Web <http://www.coilcraft.com>